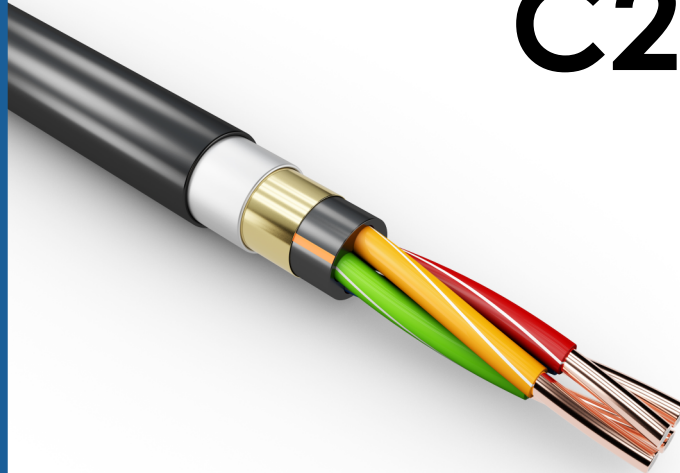




GENVOLT

Multi Conductor Cable

C2207



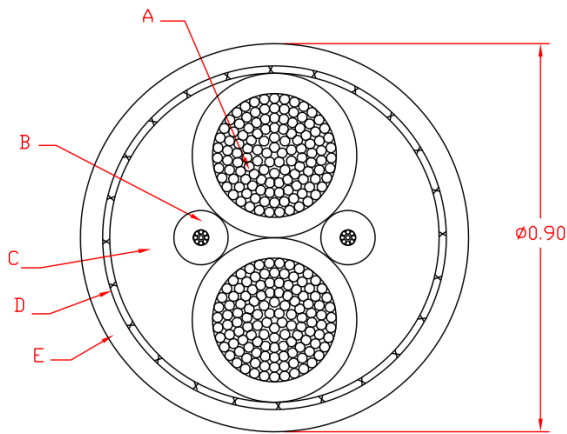
High Voltage
Multi Conductor Cable



C2207

15kV_{DC} / SILICONE DIELECTRIC / 4 CONDUCTOR SHIELDED

CONSTRUCTION



KEY

- A. 2 X #4 AWG (133x #25 AWG) TIN PLATED COPPER SILICONE RUBBER TO Ø0.381±0.015
- B. 2 X #20 AWG (10x #30 AWG) TIN PLATED COPPER SILICONE RUBBER INSULATION TO Ø0.126 COLOUR: ONE WHITE, ONE RED
- C. FILLER MATERIAL & BINDER TAPE TO ENSURE ROUNDNESS
- D. BRAIDED SHIELD, #34 AWG, 85% COVERAGE
- E. GREY PVC COMPOUND JACKET, 0.050 WALL

TECHNICAL INFORMATION

Voltage kV (DC)		15		Voltage kV (AC)		5			
Number of Conductors		2		Outside Diameter		Inches	0.900		
		2				cm	2.286		
AWG		#4		Impedance		ohms	13		
		#20					42		
Strands		133x TC		Capacitance		pF/ft	133		
		10/30 TC					43		
Insulation		Silicone		Min Bend Radius		Inches	6.50		
Semicon Diameter		N/A				Cm	16.51		
Dielectric Insulation		Material		Min Ambient Temp		°F	-60		
		Diameter (in)				0.380	0.126	°C	-51
		Diameter (cm)				0.970	0.32	°F	140
Shield		Construction		Max Conductor Temp		°C	60		
		AWG Equiv				Weight		lb/ft	0.520
		Coverage %		Jacket Material				kG/m	0.775
		Semicon				N/A			PVC

GLOBAL PRESENCE



UK Office:

Genvolt, New Road, Bridgnorth, Shropshire, WV16 6NN, United Kingdom

Tel: +44 (0) 1746 862 555

Email: info@genvolt.co.uk Website: www.genvolt.com

India Office:

Genvolt India Private Limited

806, Suratwala Mark Plazzo, Hinjewadi Village, Hinjewadi, Pune, Maharashtra - 411057, India

Email: supportindia@genvolt.co.uk Website: www.genvolt.in

Research and Development:

Genvolt Ltd

New road, Bridgnorth, Shropshire, WV16 6NN

Factories:

Genvolt Ltd

New road, Bridgnorth, Shropshire, WV16 6NN

Boher High Voltage Power Supplies Ltd (Genvolt China)

No. 79 Yandangshan Road, Suyu District, Suqian City, Jiangsu, China